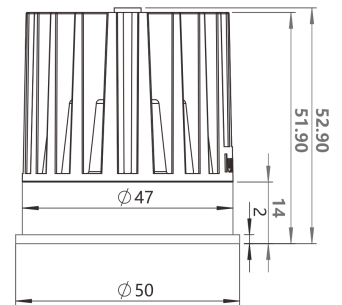
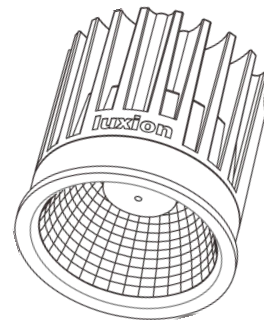


## PowerLUX- 9W

Reflector+Lens

### Technical Parameters:

Name	PowerLUX10 DTW
Light source:	COB
Input Voltage:	AC220~240V 50/60Hz
LED Current:	250mA (36V)
Rated life:	>50,000 hours
Operating temperature:	-20°C~40°C
Storage temperature:	-30°C~60°C
Certificate:	CE/RoHS
Dimmability:	Dim to warm
Weight:	0.10KG/pc 11.8KG/CTN 100pcs/CTN 580x300x200mm



### Ordering Information:

● Black

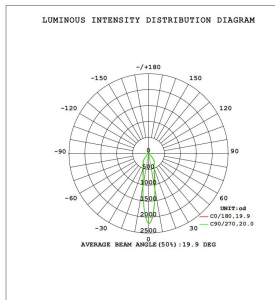
Power	CRI	Beam Angle	Luminous	CCT	Housing	Part Number
9.0W	>90	▲ 15°	685.5 lm	2000K-3000K	●	LUX-30615-M10DW
		▲ 40°	695.3 lm	2000K-3000K	●	LUX-30640-M10DW
		▲ 60°	688.2 lm	2000K-3000K	●	LUX-30660-M10DW

# PowerLUX10 DTW

## Technical Data test pattern

CRI90 15°

3000K

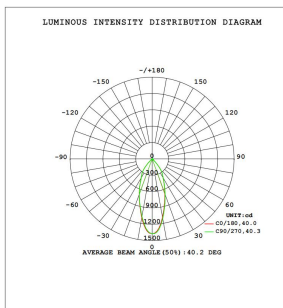


Flux out: 145.0 lm

Height	Havg,Emax	Angle: 19.88deg	Diameter
1m	1484.2198lx		35.05cm
2m	371.1549.31lx		70.11cm
3m	144.9.244.21lx		105.16cm
4m	92.78.137.41lx		140.22cm
5m	59.38.87.93lx		175.27cm
6m	41.23.61.06lx		210.33cm
7m	30.30.44.86lx		245.38cm
8m	23.19.34.35lx		280.43cm
9m	18.33.27.14lx		315.49cm
10m	14.84.21.98lx		350.54cm

CRI90 40°

3000K

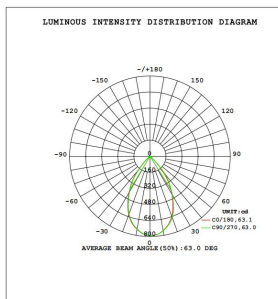


Flux out: 187.8 lm

Height	Havg,Emax	Angle: 40.47deg	Diameter
1m	883.1.1421lx		73.72cm
2m	220.8.355.31lx		147.44cm
3m	94.13.157.81lx		221.16cm
4m	55.20.88.83lx		294.87cm
5m	35.33.56.85lx		368.59cm
6m	24.53.39.48lx		442.31cm
7m	18.02.29.00lx		516.03cm
8m	13.80.22.21lx		589.75cm
9m	10.90.17.55lx		663.47cm
10m	8.831.14.21lx		737.18cm

CRI90 60°

3000K

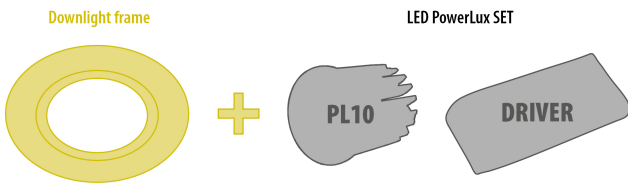


Flux out: 146.0 lm

Height	Havg,Emax	Angle: 62.94deg	Diameter
1m	442.8.791.11lx		122.41cm
2m	115.7.197.81lx		244.82cm
3m	51.43.87.90lx		367.23cm
4m	28.93.49.44lx		489.64cm
5m	18.51.31.64lx		612.05cm
6m	12.86.21.97lx		734.46cm
7m	9.446.16.14lx		856.87cm
8m	7.232.12.36lx		979.28cm
9m	5.714.9.766lx		1101.69cm
10m	4.428.7.911lx		1224.10cm

# PowerLUX10 DTW

## Installation instruction



### Packaging:



**Box**  
 L52\*W52\*H76mm  
 1pc/box  
 GW: 0.1kg/box



**Middle box**  
 L282\*W111\*H82mm  
 10pc/box  
 GW: 1.05kg/box

**Outer carton**  
 L580\*W300\*H200mm  
 100pcs/CTN  
 GW: 11.8kg/carton

